

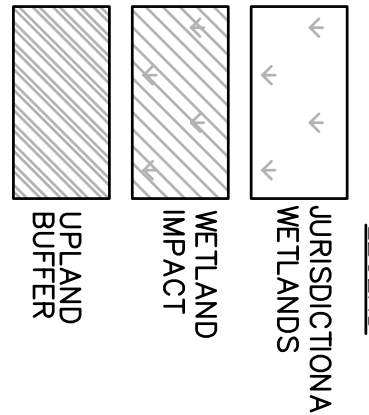
ST. JOHNS BLUFF ROAD

FRANCES STREET

SALTZMAN TERRACE

SUBURBAN PLACE

LEGEND



EDGE OF ASPHALT

7 COMPACT PARKING SPACES W/ "COMPACT CAR SIGN" AND P.V.M.T. MARKINGS

EXIST. SIDEWALK

CITY STANDARD CURB & GUTTER (TYP)

HANDICAP ACCESS RAMP (TYP)

BIKE RACK

PROPOSED PRIVATE PUMP STATION

Multiple Use Field

PROPOSED BUILDING 12,000 SF

12'x18' HC PARKING SPACE W/ 5' HC ACCESS RAMP WITH DETECTABLE WARNING SURFACE P.V.M.T. MARKINGS & HC PARKING SIGN (TYP)

DAMPSTER PAD

Lake

24" WIDE STOP BAR

STOP SIGN

7 COMPACT PARKING SPACES W/ "COMPACT CAR SIGN" AND P.V.M.T. MARKINGS

7 COMPACT PARKING SPACES W/ "COMPACT CAR SIGN" AND P.V.M.T. MARKINGS

7 COMPACT PARKING SPACES W/ "COMPACT CAR SIGN" AND P.V.M.T. MARKINGS

7 COMPACT PARKING SPACES W/ "COMPACT CAR SIGN" AND P.V.M.T. MARKINGS

7 COMPACT PARKING SPACES W/ "COMPACT CAR SIGN" AND P.V.M.T. MARKINGS

7 COMPACT PARKING SPACES W/ "COMPACT CAR SIGN" AND P.V.M.T. MARKINGS

7 COMPACT PARKING SPACES W/ "COMPACT CAR SIGN" AND P.V.M.T. MARKINGS

7 COMPACT PARKING SPACES W/ "COMPACT CAR SIGN" AND P.V.M.T. MARKINGS

7 COMPACT PARKING SPACES W/ "COMPACT CAR SIGN" AND P.V.M.T. MARKINGS

7 COMPACT PARKING SPACES W/ "COMPACT CAR SIGN" AND P.V.M.T. MARKINGS

7 COMPACT PARKING SPACES W/ "COMPACT CAR SIGN" AND P.V.M.T. MARKINGS

7 COMPACT PARKING SPACES W/ "COMPACT CAR SIGN" AND P.V.M.T. MARKINGS

7 COMPACT PARKING SPACES W/ "COMPACT CAR SIGN" AND P.V.M.T. MARKINGS

7 COMPACT PARKING SPACES W/ "COMPACT CAR SIGN" AND P.V.M.T. MARKINGS

7 COMPACT PARKING SPACES W/ "COMPACT CAR SIGN" AND P.V.M.T. MARKINGS

7 COMPACT PARKING SPACES W/ "COMPACT CAR SIGN" AND P.V.M.T. MARKINGS

7 COMPACT PARKING SPACES W/ "COMPACT CAR SIGN" AND P.V.M.T. MARKINGS

7 COMPACT PARKING SPACES W/ "COMPACT CAR SIGN" AND P.V.M.T. MARKINGS

7 COMPACT PARKING SPACES W/ "COMPACT CAR SIGN" AND P.V.M.T. MARKINGS

7 COMPACT PARKING SPACES W/ "COMPACT CAR SIGN" AND P.V.M.T. MARKINGS

7 COMPACT PARKING SPACES W/ "COMPACT CAR SIGN" AND P.V.M.T. MARKINGS

7 COMPACT PARKING SPACES W/ "COMPACT CAR SIGN" AND P.V.M.T. MARKINGS

7 COMPACT PARKING SPACES W/ "COMPACT CAR SIGN" AND P.V.M.T. MARKINGS

7 COMPACT PARKING SPACES W/ "COMPACT CAR SIGN" AND P.V.M.T. MARKINGS

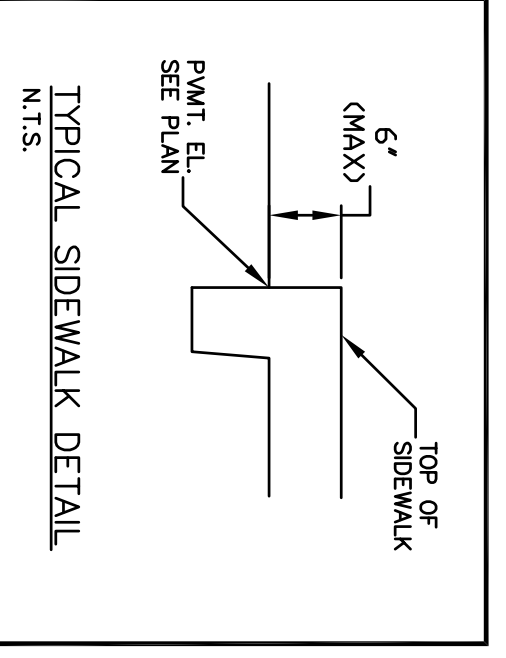
7 COMPACT PARKING SPACES W/ "COMPACT CAR SIGN" AND P.V.M.T. MARKINGS

7 COMPACT PARKING SPACES W/ "COMPACT CAR SIGN" AND P.V.M.T. MARKINGS

7 COMPACT PARKING SPACES W/ "COMPACT CAR SIGN" AND P.V.M.T. MARKINGS

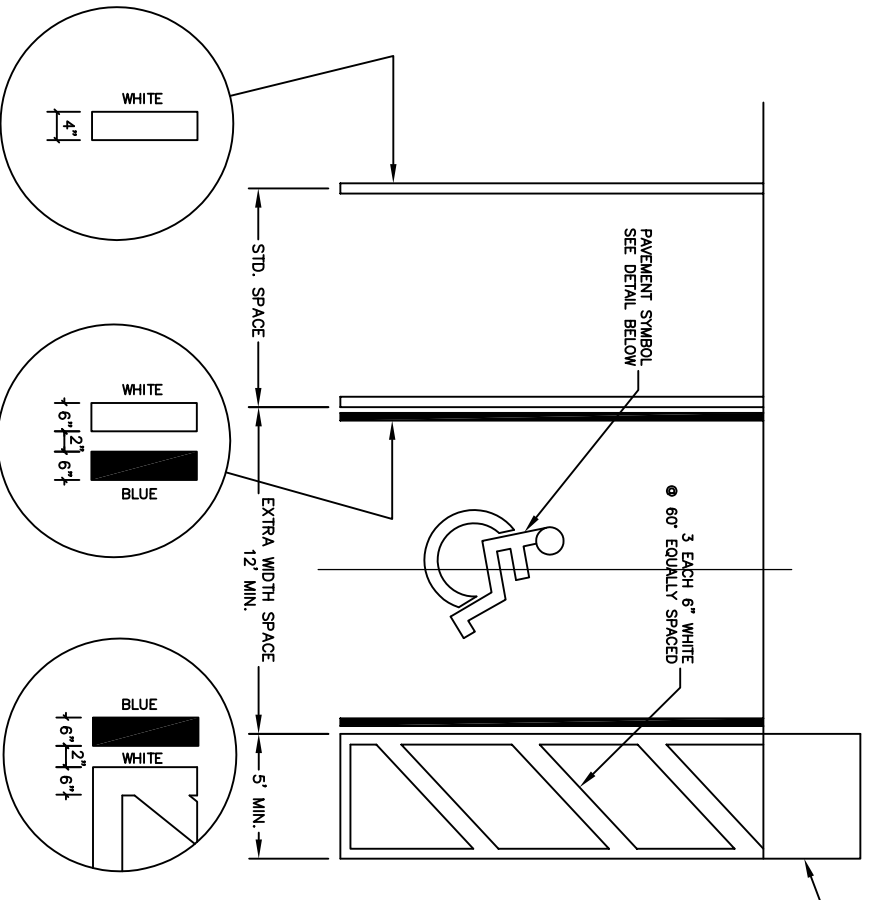
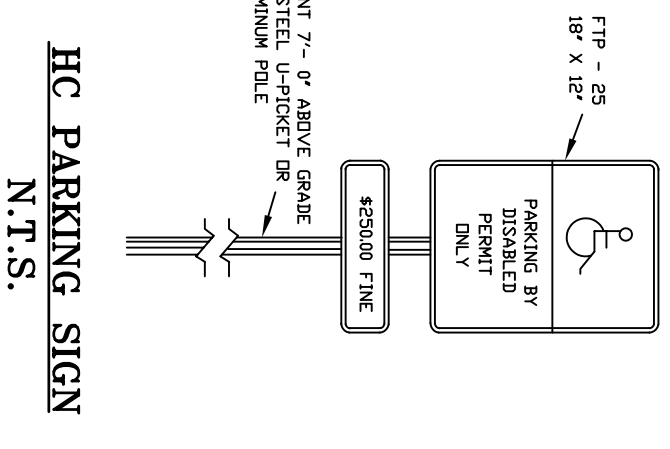
7 COMPACT PARKING SPACES W/ "COMPACT CAR SIGN" AND P.V.M.T. MARKINGS

7 COMPACT PARKING SPACES W/ "COMPACT CAR SIGN" AND P.V.M.T. MARKINGS

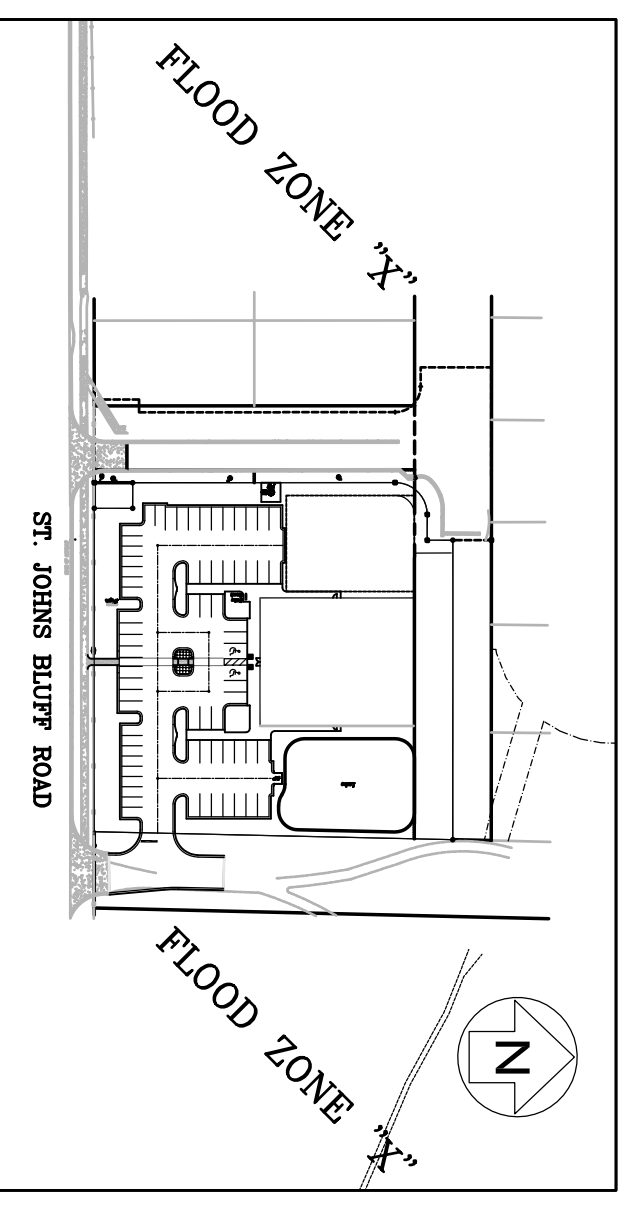


PARKING CALCULATIONS
PARKING PROVIDED: 69 REGULAR SPACES,
17 COMPACT SPACES, 2 HANDICAP SPACES

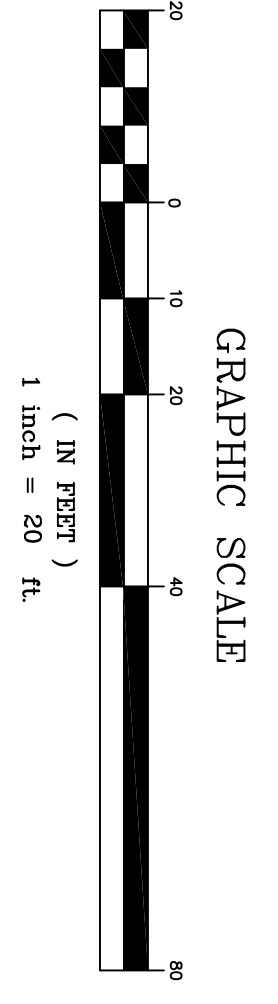
LINE	LENGTH	BEARING
L1	42.70	S00d51.04"E
L2	66.00	S00d51.04"E
L3	46.00	S00d51.04"E
L4	66.00	S00d51.04"E
L5	98.00	S89d08.56"W
L6	46.00	S89d08.56"W
L7	46.00	S00d51.04"E
L8	40.00	S89d08.56"W
L9	97.50	S89d08.56"W



TYPICAL STRIPING



SCALE: 1" = 150'
PROJECT LIES IN FLOOD ZONE "X" AS PER FIRM PANEL 12003100384H
PANEL 384 OF 675 REVISED JUNE 3, 2013.



GRAPHIC SCALE
(IN FEET)
1 Inch = 20 FT.

IT'S THE LAW!
Call 48 hours before you dig
1-800-432-4770
SUNSHINE STATE ONE CALL OF FLORIDA, INC.

FLORIDA EXTREME FITNESS CENTER
FOR: DEVELOPER
DUVAL COUNTY, FLORIDA
GEOMETRY PLAN

Hill, Boring & Associates, Inc.
CIVIL ENGINEERS / LAND PLANNERS
7950 BELFORT PARKWAY, SUITE 1600 JACKSONVILLE, FLORIDA 32256
PHONE: (904) 281-1121 FAX: (904) 281-0971
E-MAIL: hbdeng@hbdeng.com
CERTIFICATE OF AUTHORIZATION NO. 27570

DESIGNED BY: HBA
DRAWN BY: HBA
CHECKED BY: V. CALVERT
SCALE: 1" = 20'
DATE: JULY, 2013
PROJ. NO.: 1305-700

VICTOR N. CALVERT
REGISTERED ENGINEER NO. 47158
8203 Boatwright Way
Jacksonville, FL 32216

REVISIONS			
NO.	DATE	DESCRIPTION	BY: